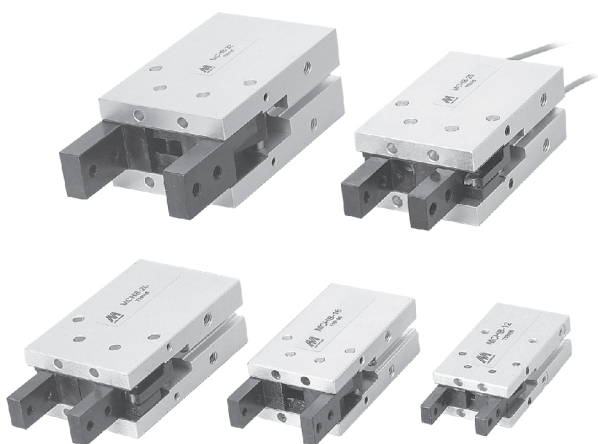


MCHB series $\phi 12\sim\phi 32$

PARALLEL GRIPPERS



Features:

- Available with a comprehensive selection of bore size($\phi 12\sim 32$) for the various needs.
- The highly accurate, air-driven open closed work.

Specification:

Model	MCHB					
Acting Type	Double Acting					
Tube I.D. (mm)	12	16	20	25	32	
Port size Rc(PT)	M3×0.5	M5×0.8				
Medium	Air					
Operating pressure range	1.5~7 kgf/cm ²					
Ambient temperature	-5~+60°C (No freezing)					
Max frequency	180 Cycles/min					
Lubrication	Cylinder	Not required				
	Lever	Grease				
Max arm length (L) (mm)	30	40	60	70	85	
Theoretical holding force kgf-cm	Closed side	0.8	2.4	4.7	7.5	10
	Opened side	0.5	1.8	3.5	6.0	8.5
Lever open / Close stroke	6	8	12	14	16	
Sensor switch	RCE,RCE1					
Weight (g)	66	144	255	419	719	

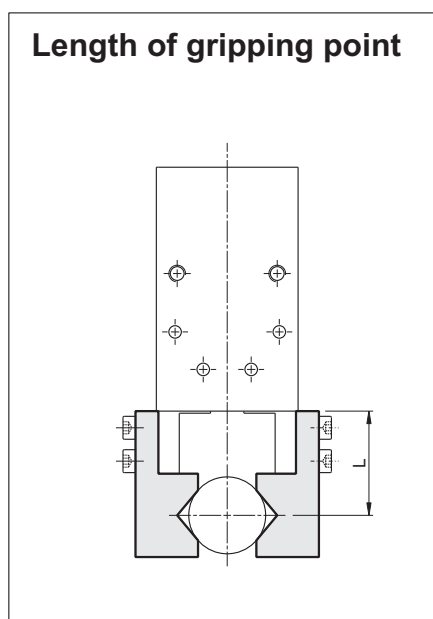
Order example:

MCHB - 16

MODEL

TUBE I.D.

※Gripping point length L=30mm, Pressure=5kgf/cm².

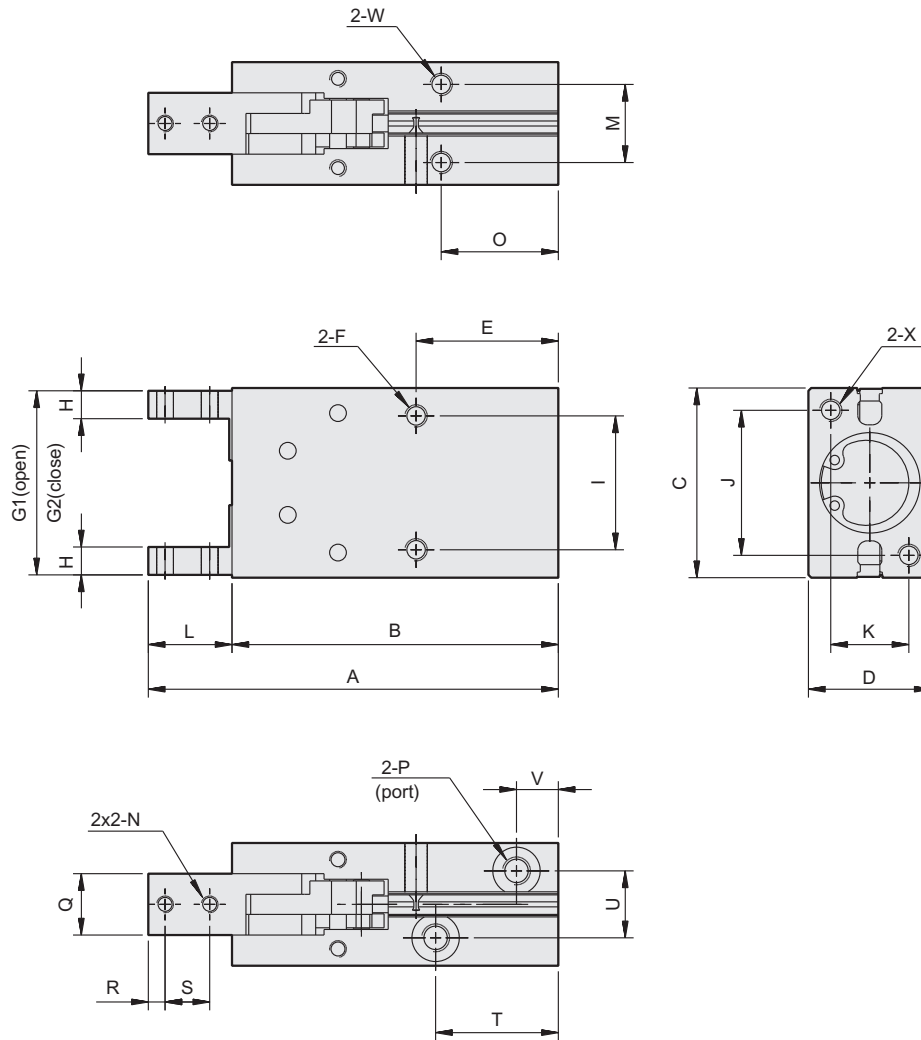


MCHB series $\phi 12 \sim \phi 32$

PARALLEL GRIPPERS



mindman



Code Tube I.D.	A	B	C	D	E	F	G1	G2	H	I	J	K	L	M	N	O	P	Q	R	S	T	U
12	63.5	50.5	28	16	20	M3x0.5x5 depth	27	21	4	18	17	10	13	10	M3x0.5	16	M3x0.5x5 depth	7	3	6	23	10.2
16	73.5	58.5	34	22	25.5	M4x0.7x11 depth	33	25	5	24	26	14	15	14	M3x0.5	21	M5x0.8x5 depth	11	3	8	22	12
20	88.5	69.5	45	26	25	M5x0.8x8 depth	44	32	6	30	35	16	19	16	M4x0.7	19	M5x0.8x5 depth	12	4	10	26	13
25	102.5	78.5	52	32	28	M6x1.0x10 depth	51	37	8	36	40	20	24	20	M5x0.8	22	M5x0.8x5 depth	14	5	12	29	18
32	120.5	90.5	60	40	34	M6x1.0x10 depth	59	43	10	44	46	24	30	26	M6x1.0	26	M5x0.8x5 depth	20	7	15	35	24

Code Tube I.D.	V	W	X
12	7.5	M3x0.5x5 depth	M3x0.5x5 depth
16	7.5	M4x0.7x7 depth	M4x0.7x7 depth
20	8	M5x0.8x8 depth	M5x0.8x8 depth
25	8.5	M6x1.0x10 depth	M6x1.0x10 depth
32	10.5	M6x1.0x10 depth	M6x1.0x10 depth